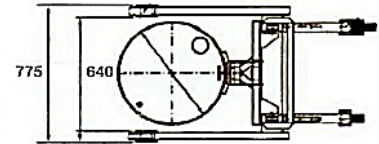
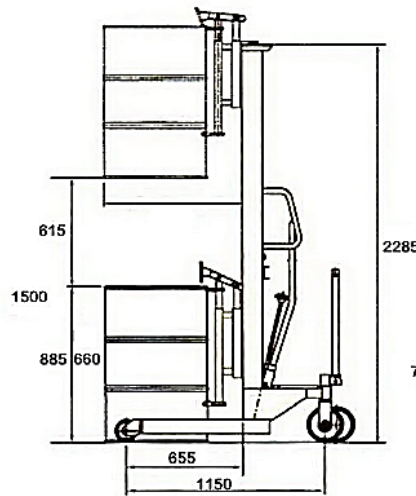


DRUM CARRIER



- For drum capacity 350 kg.
- Rugged construction and high quality hydraulic system.
- Locking of rim is the strongest and safety for moving.

TECHNICAL DATA		RDS-350
Lifting capacity	kg	350
Overall lifting height	mm	2500
Overall height	mm	2285
Overall length	mm	1115
Arm height	mm	130
Max. lifting height	mm	1500
Outside between arms	mm	775
Inside between arms	mm	640
Wheel base	mm	1330
Turning radius	mm	1400
Front wheel	mm	Ø 125
Rear wheel	mm	Ø 200
Total weight	kg	180



Specifications are subject to change without notice.



Under the Management of Estel Company Limited

79/5 Moo 2 Mahasawat Bangkruey Nonthaburi 11130 Thailand. Tel. 0-2985-2081-9 Ext. 224

Fax. 0-2985-2313 Website : <http://www.rhino-estel.com> E-mail : rhino.estel@gmail.com