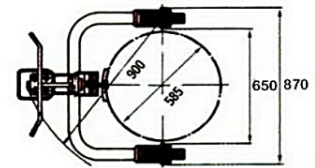
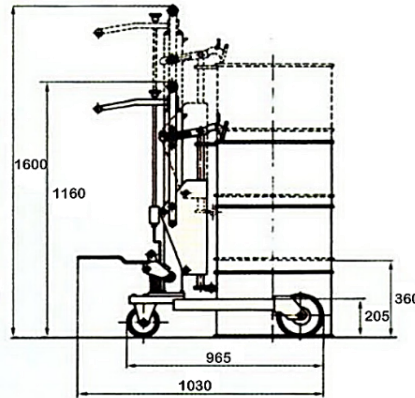


DRUM CARRIER



- For drum capacity 350 kg.
- Rugged construction and high quality hydraulic system.
- Locking of rim is the strongest and safety for moving.

TECHNICAL DATA		RDC-350
Lifting capacity	kg	350
Overall lifting height	mm	1600
Overall height	mm	1160
Overall length	mm	1030
Arm height	mm	205
Max. lifting height	mm	360
Outside between arms	mm	870
Inside between arms	mm	650
Wheel base	mm	965
Turning radius	mm	900
Front wheel	mm	Ø 200
Rear wheel	mm	Ø 150
Total weight	kg	70



Specifications are subject to change without notice.



Under the Management of Estel Company Limited

79/5 Moo 2 Mahasawat Bangkruey Nonthaburi 11130 Thailand. Tel. 0-2985-2081-9 Ext. 224

Fax. 0-2985-2313 Website : <http://www.rhino-estel.com> E-mail : rhino.estel@gmail.com