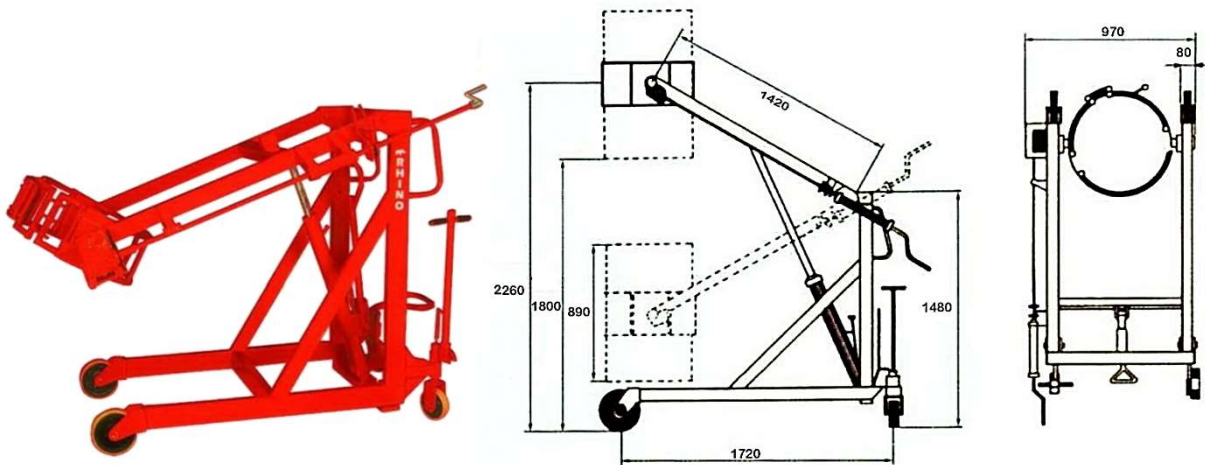


DRUM LIFTER



- Carefully designed to give both easy and safety while carrying heavy drum.
- Drum clamping latch with handle crank shaft.
- The lifting height equally triple drums stacking head.
- For drum capacity 350 kg.
- 360 ° rotation by reduction gear.

TECHNICAL DATA		RDL-350
Lifting capacity	kg	350
Lifting height	mm	2260
Overall height	mm	1480
Overall length	mm	1720
Overall width	mm	970
Drum clamp		Clamping latch with handle crank shaft
Rotation of drum		360°
Lifting height per one stroke	mm	5 - 10
Arm height	mm	205
Max. Lifting height	mm	1645
Outside between arms	mm	812
Inside between arms	mm	650
Wheel base	mm	1330
Turning radius	mm	1640
Front wheel	mm	Ø 205
Rear wheel	mm	Ø 160
Total weight	kg	280

Specifications are subject to change without notice.



Under the management of Estel Company Limited

79/5 Moo 2 Mahasawat Bangkruey Nonthaburi 11130 Thailand. Tel. 0-2985-2081-9 Ext. 224

Fax. 0-2985-2313 Website: <http://www.rhino-estel.com>, E-mail: rhino.estel@gmail.com