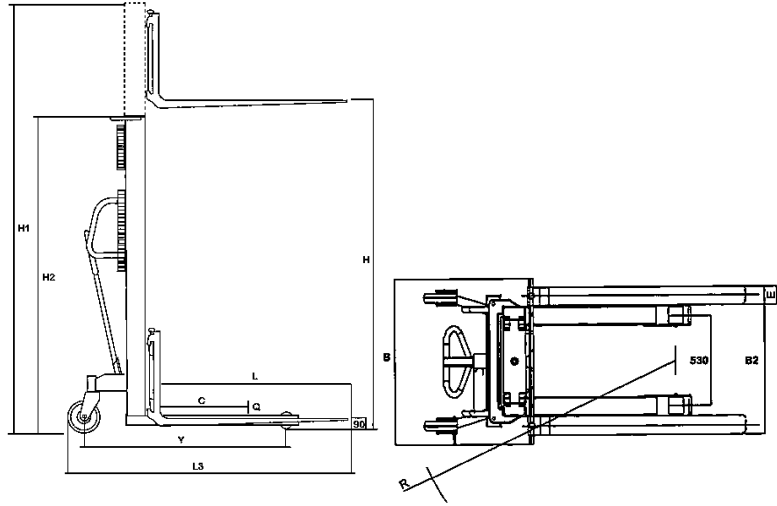


# MANUAL STACKER



## Advantages :

- Robust Steel profile construction.
- An economical lift to handle tasks from transporting dies and moulds skids and pallets.
- Sturdy and compact enough to fit through standard doors and to operate in congested areas.
- Precision engineered for smooth performance and exceptional durability.
- Lifting function operated by foot and hand controls.
- Allow the operator to work without having to perform extreme body movements. RS with adjustable forks.

| TECHNICAL DATA            |    | RS-1025 | RS-1030 |
|---------------------------|----|---------|---------|
| Rated lifting capacity    | kg | 1000    | 1000    |
| Max lifting height        | mm | 2500    | 3000    |
| Lowered height of forks   | mm | 90      | 90      |
| Fork length               | mm | 1150    | 1150    |
| Adjustable width of forks | mm | 220-900 | 220-900 |
| Min Turning Radius        | mm | 1250    | 1250    |
| Wheel Base                | mm | 1100    | 1100    |
| Front Wheel Distance      | mm | 210     | 210     |
| Overall Length            | mm | 1340    | 1340    |
| Overall Width             | mm | 950     | 950     |
| Overall Height            | mm | 1810    | 2060    |
| Overall Net Weight        | kg | 355     | 370     |

Specifications are subject to change without notice.



Under the Management of Estel Company Limited

79/5 Moo 2 Mahasawat Bangkruey Nonthaburi 11130 Thailand. Tel. 0-2985-2081-9 Ext. 224

Fax. 0-2985-2313 Website : <http://www.rhino-estel.com> E-mail : rhino.estel@gmail.com