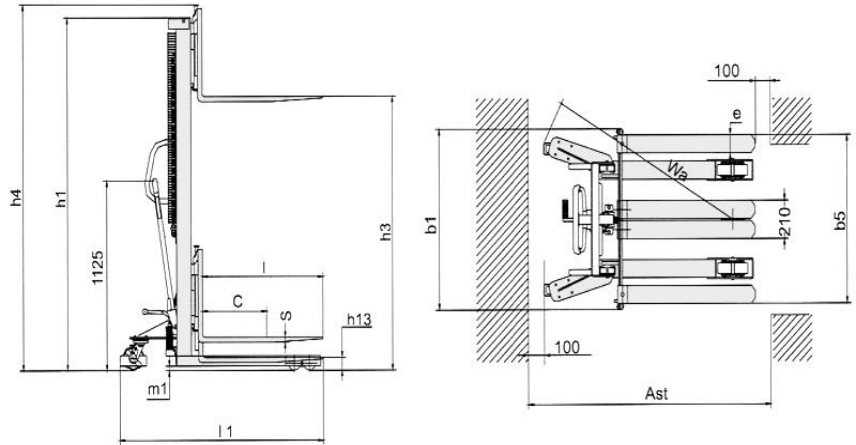


MANUAL STACKER



Advantages :

- Robust Steel profile construction.
- An economical lift to handle tasks from transporting dies and moulds skids and pallets.
- Sturdy and compact enough to fit through standard doors and to operate in congested areas.
- Precision engineered for smooth performance and exceptional durability.
- Lifting function operated by foot and hand controls.
- Allow the operator to work without having to perform extreme body movements. RS with adjustable forks.

TECHNICAL DATA			RS-0516
Load capacity / rated load	Q	kg	500
Load centre distance	C	mm	500
Service weight		kg	161
Height, mast lowered	h1	mm	2000
Max. lift height	h3	mm	1600
Height, mast extended	h4	mm	2010
Fork height , Lowered fork	h13	mm	90
Overall length	l1	mm	1380/1640
Overall width	b1	mm	805
Fork dimensions	s/e/l	mm	48/100/800
Width overall forks	b5	mm	745
Round clearance, laden, below mast	m1	mm	20
Aisle width for pallets 1000x1200 crossways	Ast	mm	1915
Aisle width for pallets 800x1200 lengthways	Ast	mm	1910
Turning radius	Wa	mm	1235
Lift speed, laden / unladen		mm/s	25
Lowering speed, laden / unladen		mm/s	Manual control

Specifications are subject to change without notice.



Under the Management of Estel Company Limited

79/5 Moo 2 Mahasawat Bangkruey Nonthaburi 11130 Thailand. Tel. 0-2985-2081-9 Ext. 224

Fax. 0-2985-2313 Website : <http://www.rhino-estel.com> E-mail : rhino.estel@gmail.com